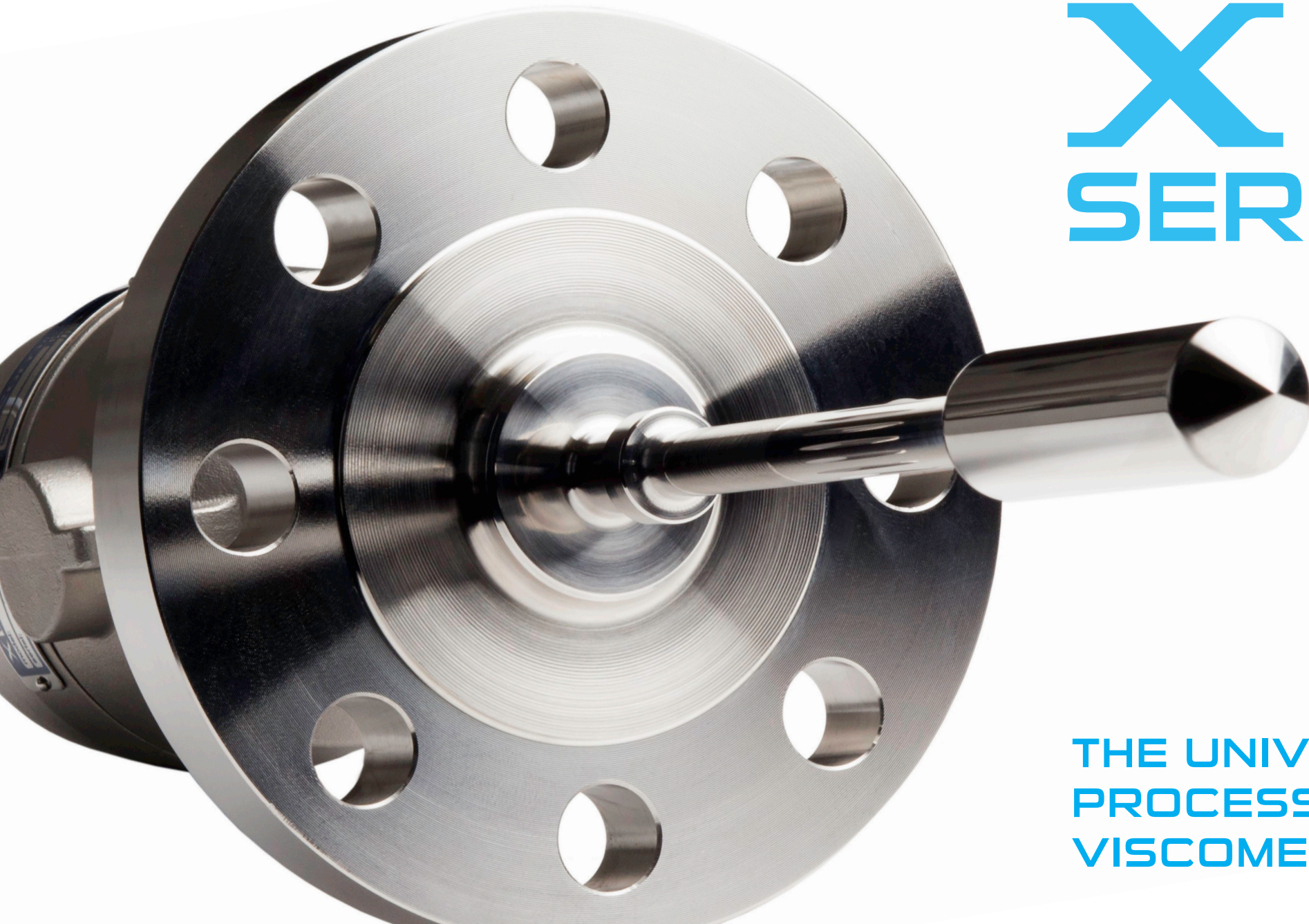


Hydramotion

INNOVATORS IN FLUID MEASUREMENT

XL SERIES



THE UNIVERSAL
PROCESS
VISCOMETER

DEFINING MODERN VISCOMETRY

A STATEMENT FROM OUR CEO

As respected leaders, Hydramotion has created the products that define modern industrial viscometry.

This is no accident, it's in our DNA. The design team led by CEO, John Gallagher, is founded on a core of engineering and physics and has a long history of groundbreaking innovation. The philosophy of challenging and questioning everything drives our design logic, and feeds product innovation.



"It's a brilliantly progressive and creative environment. Our development team is world class, and brings decades of engineering insight to the challenges of in-line viscosity. We always stretch the limits of what is possible. Hydramotion's products are testimony to that."

JOHN GALLAGHER, CEO

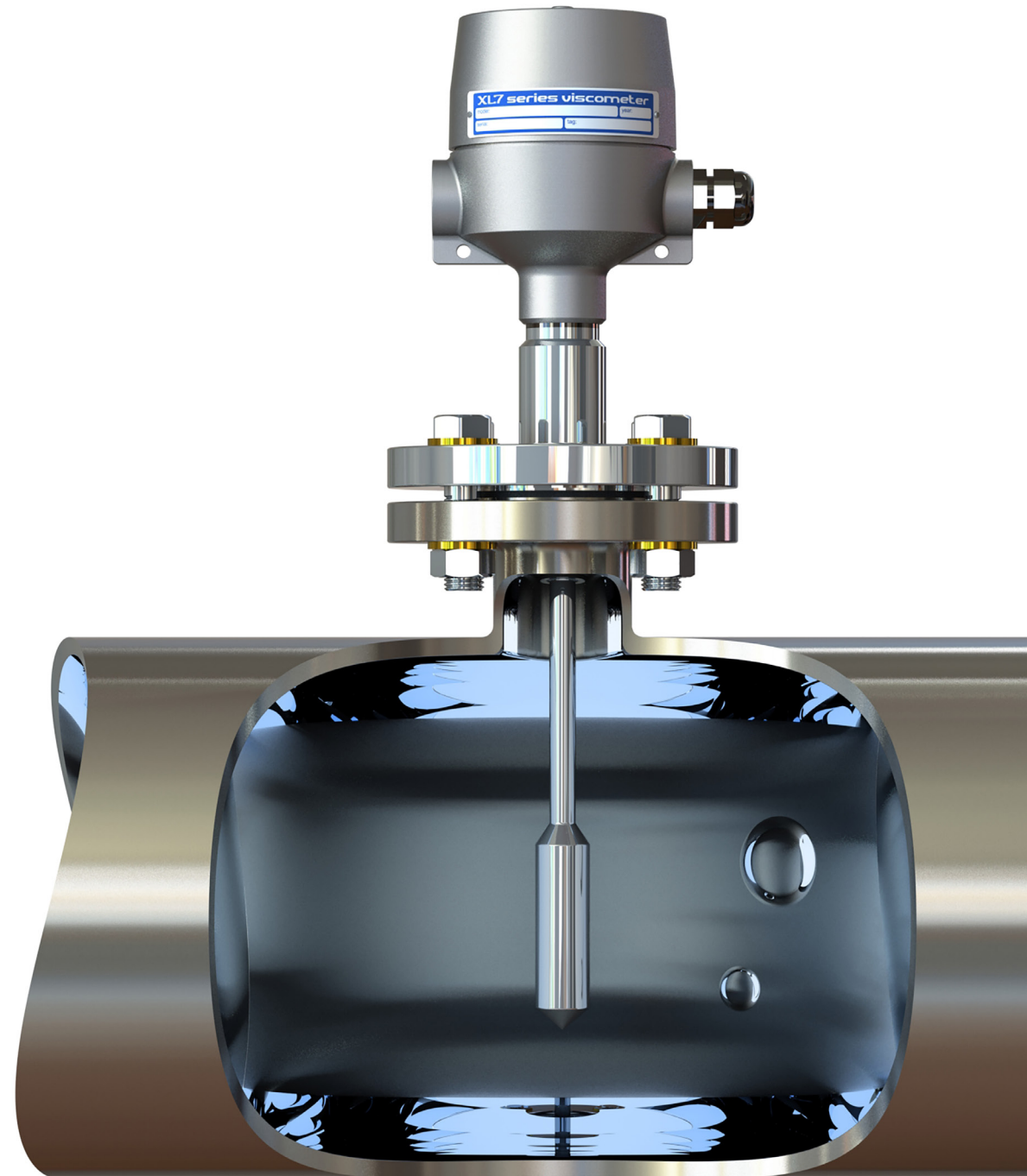


PEACE OF MIND

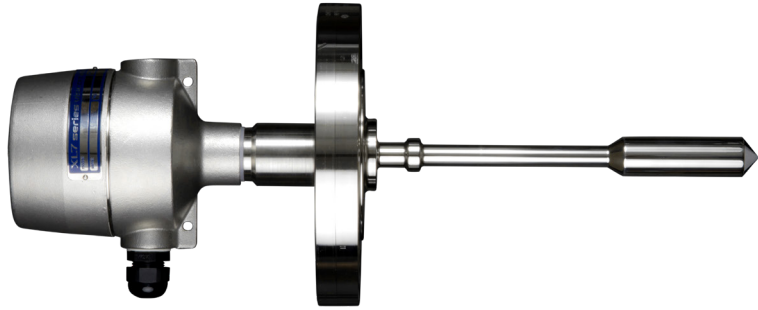
Hydramotion products have become the trusted reference in the process. Around the world they work day and night providing vital fluid measurements for businesses that depend on getting viscosity right.

Peace of mind comes from the investment we put into the design and manufacture of our products. We know where they are used and what is expected from us.

The build quality is peerless. And our Validation Lab ensures that every instrument leaving our Production Centre has the same performance our customers demand.



WELCOME TO THE XL SERIES

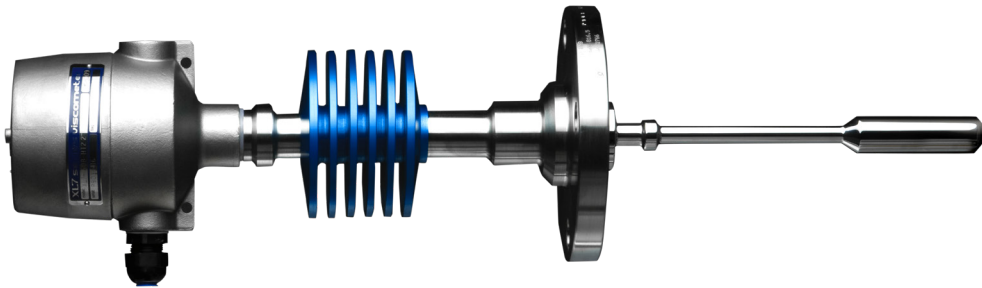


XL7

0.1 cP
or 1%
ACCURACY

150 °C
302°F
TEMPERATURE

700 BAR
10,000 PSI
PRESSURE



XL7-HT

400+ °C
752°F
TEMPERATURE



XL7-LR

NO LIMIT
LENGTH

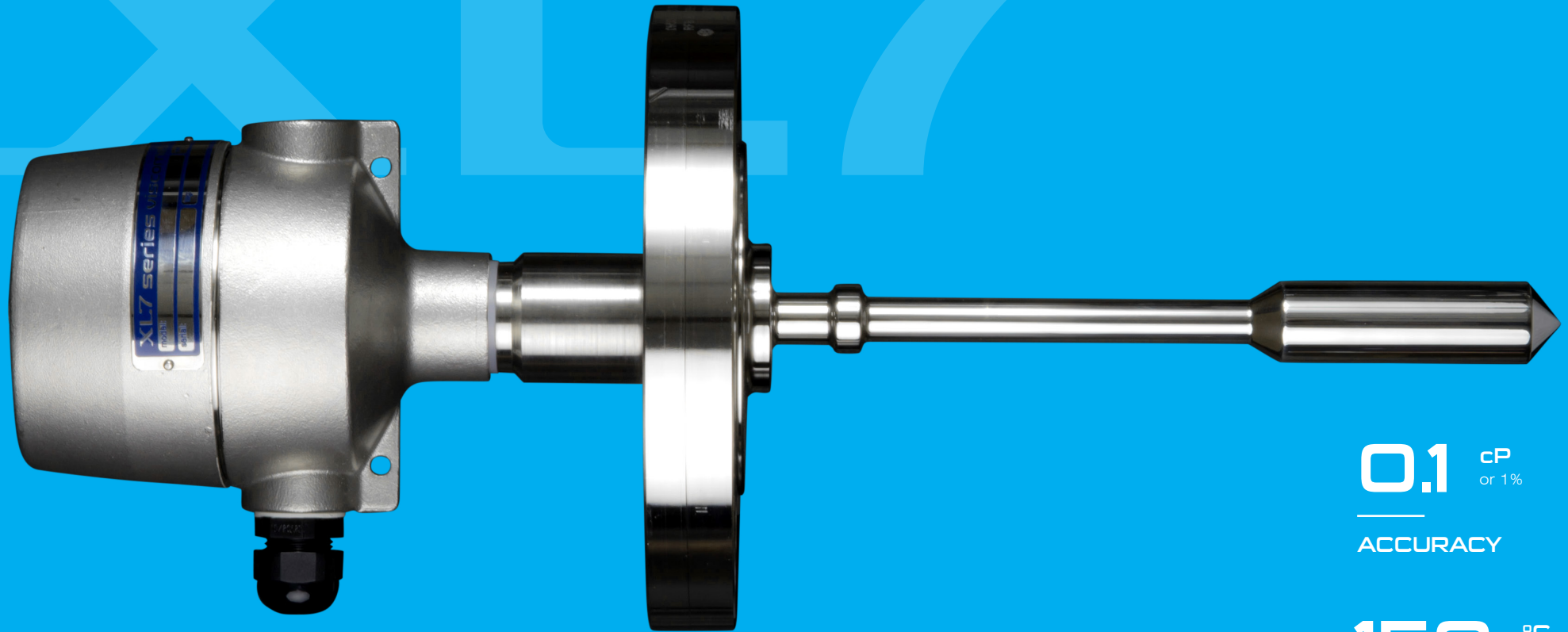


XL5

1.2 Kg
WEIGHT

ALL SHAPES & SIZES VISCOSITY FOR EVERYONE

We do not live in a standard world. We routinely produce viscometers to meet any process requirements you may have. Our viscometers operate in the most noisy, hot, cold, fast, hygienic, aggressive, hazardous, or extreme environment you can imagine. We're always there. Instruments can also be supplied in a range of alternative materials and finishes. The choice is yours.



XL7

IN LINE. IN CONTROL.

Hydramotion is the name industry turns to for in-line product viscosity. There are other viscometer manufacturers. But no-one else makes the XL7. A fusion of robustness and high precision that can track the tiniest changes in viscosity, the XL7 sets the standard for in-line measurement.

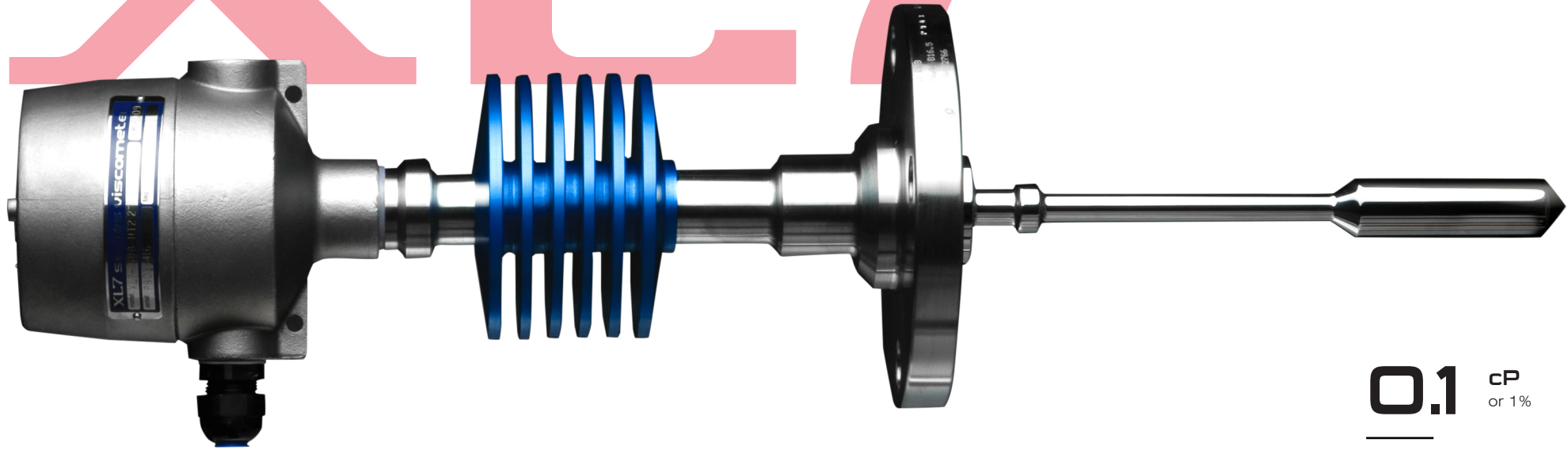
0.1 ^{cP}
or 1%
ACCURACY

150 ^{°C}
302°F
TEMPERATURE*

700 ^{BAR}
10,000 PSI
PRESSURE*

*All specifications are guidelines. Our Special Operations team can create exclusive custom designs to meet your exact specifications.

XL7-HT



XL7-HT HEAT SEEKER

Continuously measuring viscosity at high temperature requires a special breed of viscometer. The XL7-HT2 model is capable of direct process viscosity measurement at over 400°C (752°F) without the need for cooling jackets or ancillary pipework. Through careful choice of materials and specially developed manufacturing techniques, Hydramotion high temperature viscometers can tolerate continuous use at extreme temperatures and still maintain all the benefits of their 'cooler' counterparts. The result is unparalleled accuracy even at the highest process temperatures.

0.1 cP
or 1%
—
ACCURACY

400+ °C
752°F
—
TEMPERATURE*

700 BAR
10,000 PSI
—
PRESSURE*

*All specifications are guidelines. Our Special Operations team can create exclusive custom designs to meet your exact specifications.



XL7-LR

ANY LENGTH. NO LIMIT.

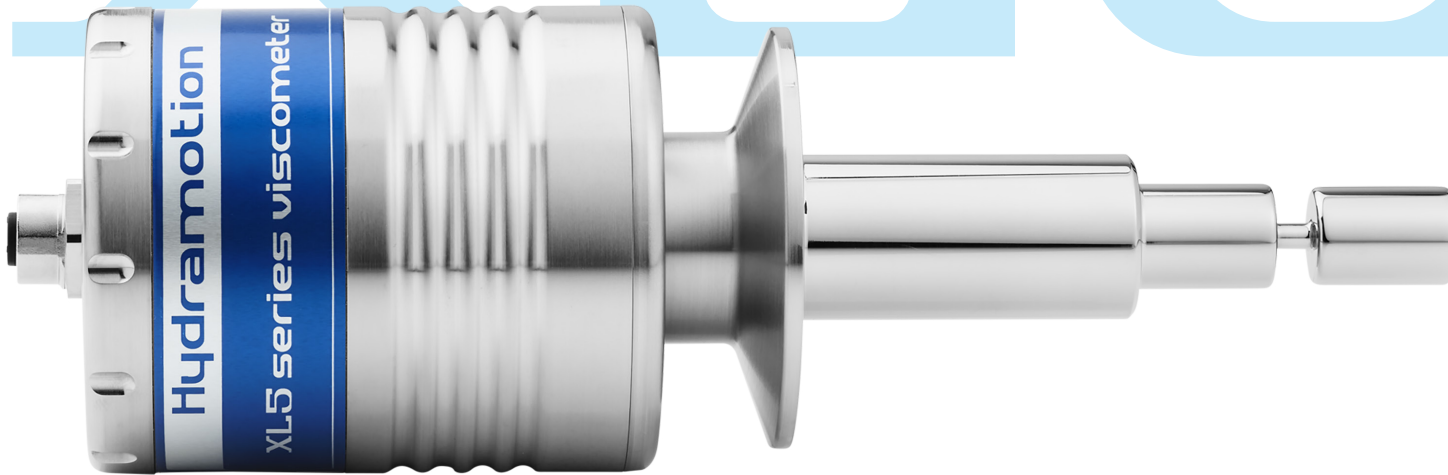
We understand measuring at a distance. Installations come in all shapes and sizes and fluid levels in tanks can vary enormously. So sometimes we stretch a little (or a lot) to reach the fluid. Anything from a slight alteration to an extension of several metres. The XL7-LR measures in those hard to reach places with the same level of precision and accuracy expected from an XL7.

0.1 ^{cP}
or 1%
—
ACCURACY

400+ ^{°C}
302°F
—
TEMPERATURE

NO LIMIT
—
LENGTH

XL5



XL5 SMALL BUT MIGHTY

All the benefits of the XL7 but lighter. A stainless steel beauty, combining unrivalled performance with a reduced footprint. Production processes often demand highly specialised instruments to do a job in hard-to-access areas or where weight and space are an issue. A lighter touch also helps with low fluid volumes and smaller scale applications with no compromise on performance.

0.1 ^{cP}
or 1%

ACCURACY

1.2 ^{Kg}

WEIGHT

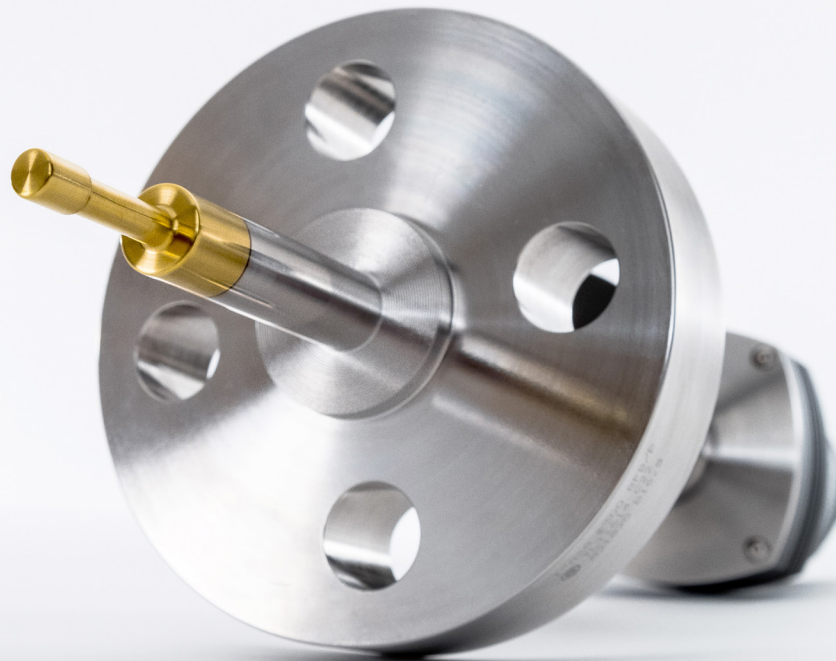
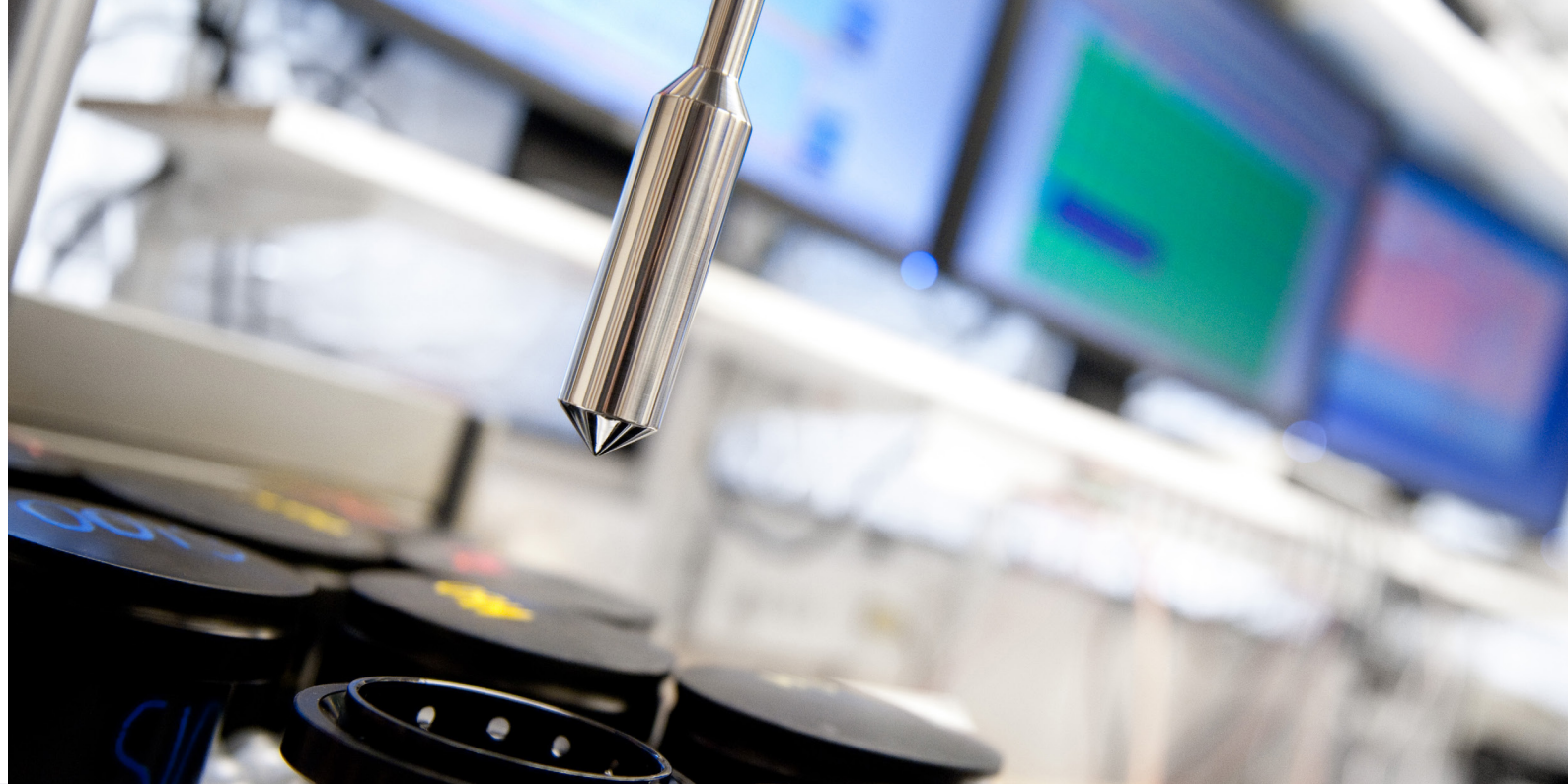
10 ^{MM}

SENSOR SIZE

CALIBRATION

Calibration is unaffected by location. Whether its a teacup of fluid or a tankful, you'll get the same viscosity reading. All viscometers undergo extensive post-production testing in our Validation Laboratory.

We are obsessed with detail. Our inspection team work with a range of specially designed test equipment and modern measurement systems to ensure the final product meets our exacting standards and will provide a highly rewarding customer experience.



SPECIAL OPS ENGINEER TO ORDER

Our Special Operations team creates exclusive custom designs to meet your exact specifications. You may wish to create a viscometer with special features to gain a competitive edge, or simply need something to fit into an existing location without having to alter any of the site.

We call this 'Engineer To Order'. It's a proficient, smooth service and is used routinely by customers.

SAFETY FIRST HYGIENIC DESIGN

Hygienic viscometers are essential for sanitary and sterile settings, or any environment where contamination is a risk:

- Food industry
- Biotechnology and pharmaceutical industry
- Cosmetics
- Paint and coating systems

MATERIAL

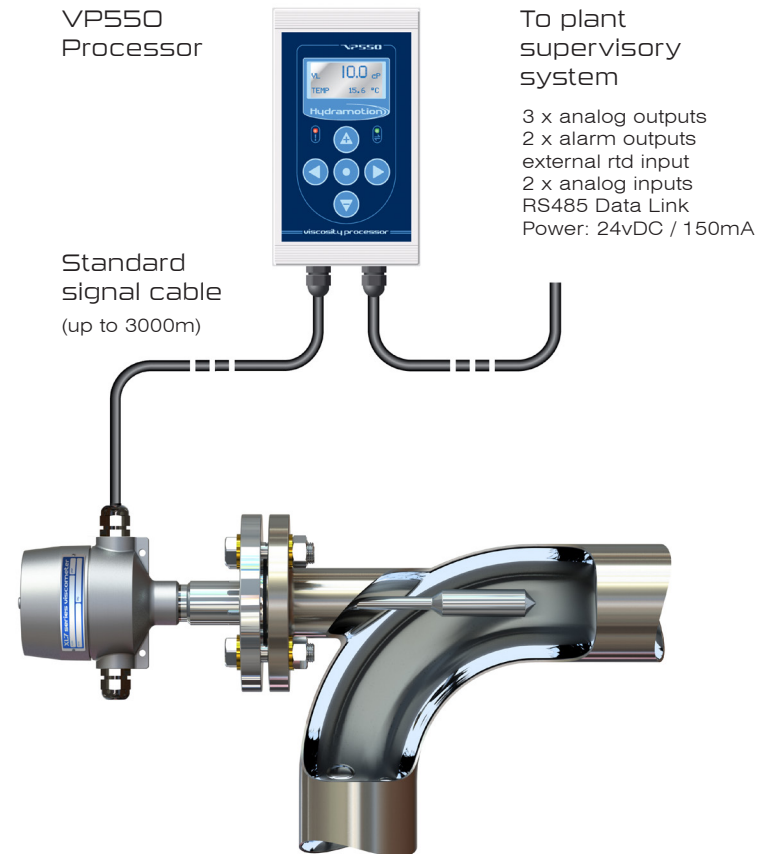
Compliant with 1935/2004/EC. As a minimum all wetted parts are manufactured from 316 (1.4401) stainless steel. Other materials, including corrosion-resistant nickel alloys are optional. Specialist coatings e.g. fluoropolymers, are also offered.



PUTTING IT TO WORK INSTALLATION







Hydramotion viscometers are designed to work right in the heart of the process. They are not affected by pipe/tank size or upset by gas or air bubbles. Installation and operation is straightforward, and should not require any special training or skills.

Our viscometers can be mounted in any orientation and comes with the process connection to suit your needs. Sensors mount on standard pipework – simply hook-up and you're ready to measure viscosity. And there's no on-site recalibration work needed either. Perfect calibration is maintained in all conditions.



CONNECTIVITY

SPECIFICATION

		Process	
		 VP250	 VP550
Process		XL7	✓
		XL7-LR	✓
		XL7-HT	✓
		XL5	✓
			✓

PERFORMANCE	Range Measurement Time Accuracy Repeatability	From 0 – 1cP to 0 – 10.9 cP over 10 models 1 second 1% of reading or +/- 1 digit 0.3% of reading or +/- 1 digit
TEMPERATURE	Standard Range HT Range Extended Range XL5 Range	-50 °C to 150 °C -50 °C to 400 °C Temperature greater than 150 / 400 °C to order* -20 °C to 150 °C
PRESSURE	Standard Range Extended Range	To process fitting To order for extreme pressure *
PROCESS CONNECTION	Standard fitting Special fitting	Any process fitting – all flanges, threads, clamps, hygienic Non-standard process connection to order *
ELECTRICAL CONNECTION	Cable Length Cable Type Power	As required – not affected by cable length up to 1000m Any standard instrument cable VP Processor powered
SAFETY CERTIFICATION	Hazardous Area	All instruments available for Ex Hazardous Area, explosive atmospheres Ga Ex ia IIC T1...T6
SPECIAL OPS	Custom variations to instrument specification and dimensions routinely provided by our dedicated Special Operations division	



innovators in fluid measurement

Hydramotion



Hydramotion

1 York Road Business Park
Malton, York
UK, YO17 6YA

www.hydramotion.com

☎ +44 (0)1653 600294
☎ +44 (0)1653 693446
✉ sales@hydramotion.com



Represented by: